

Data Sheet

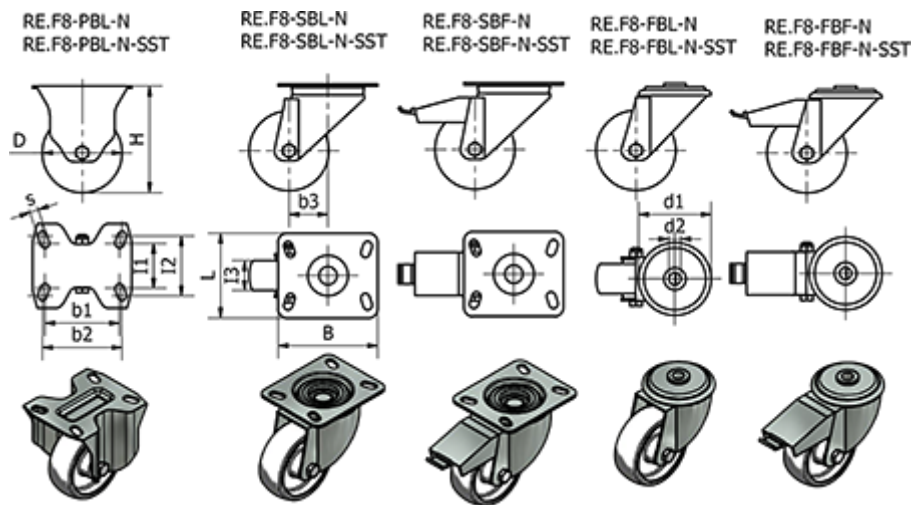


Article number: 2314450561

Description: E+G polyamide wheel

RE.F8-100-SBL-N - Turning plate wo/brake in Zinc-plated steel

Measures



| | | | |
|---------------|--------------------------------------|---|-------------------------------|
| = - | d2 | = | Rolling resistance (N) = 1750 |
| B = 100 | Dynamic carrying capacity (N) = 2000 | | s = 9 |
| b1 = 75 | H = 128 | | Type = RE.F8-100-SBL-N |
| b2 = 80 | l1 = 45 | | Wight (g) = 650 |
| b3 = 35 | l2 = 60 | | |
| Code = 450561 | l3 = 30 | | |
| D = 100 | L = 85 | | |
| d1 = | R = | | |